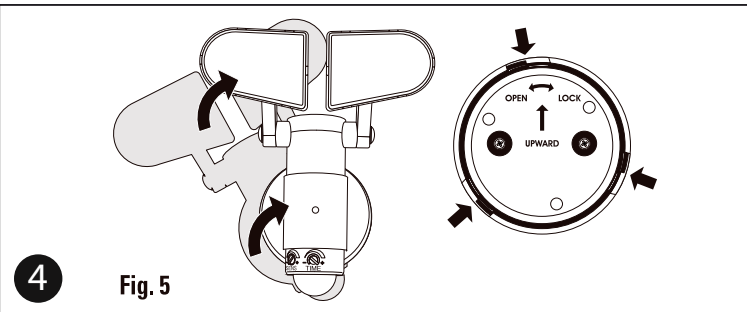
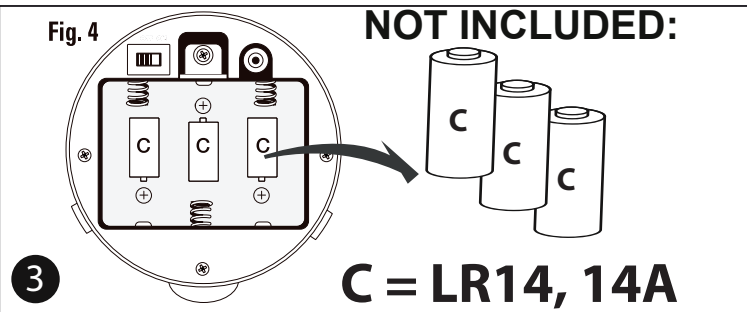
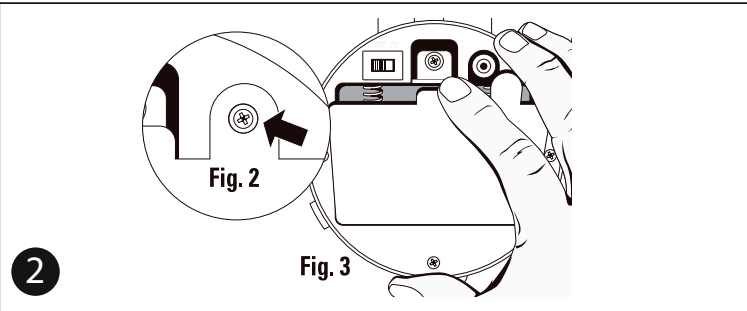
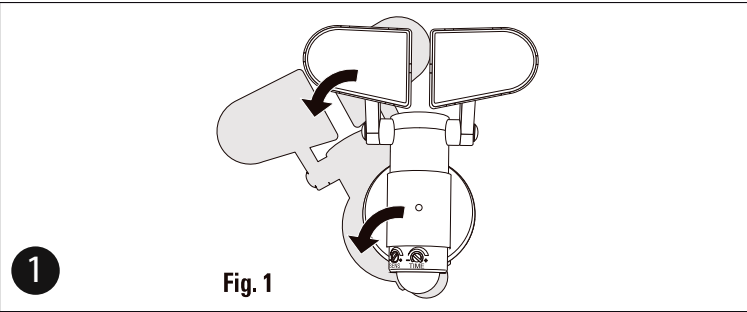


# BATTERY EXCHANGE

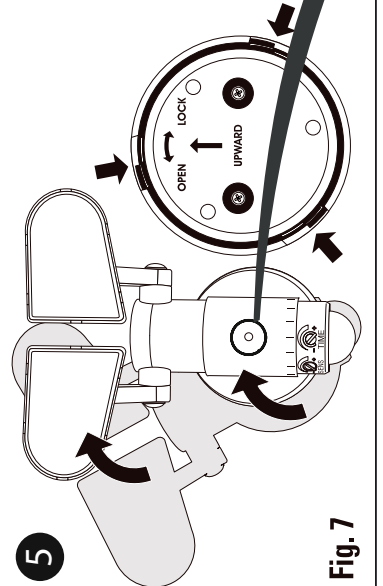
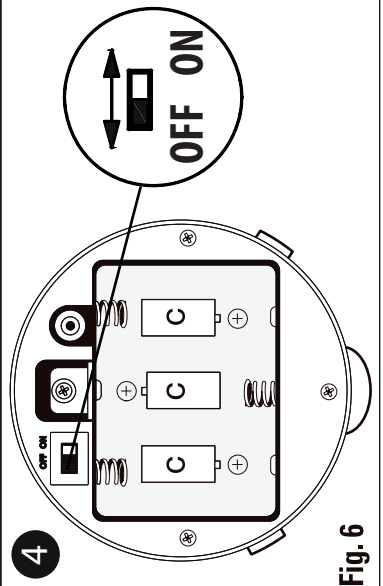
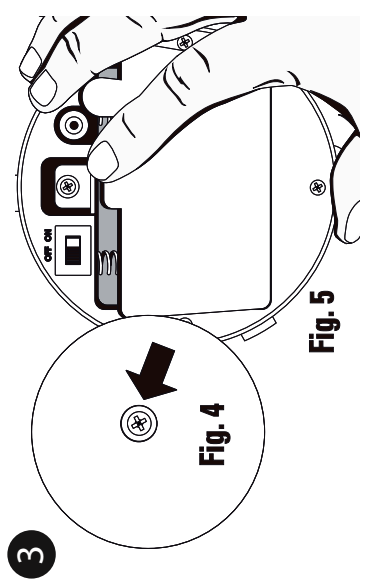
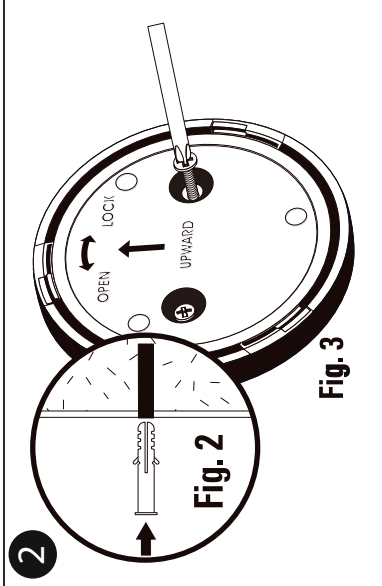
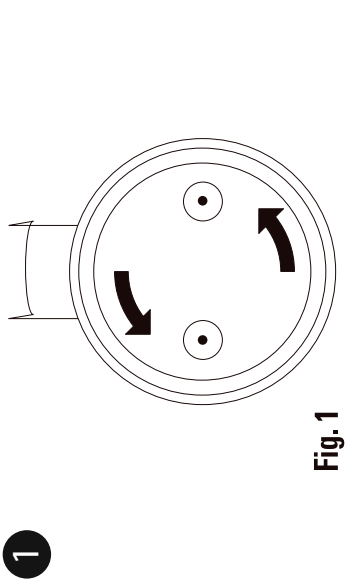


Luxform Global BV Transportstraat 1 8263 BW Kampen The Netherlands

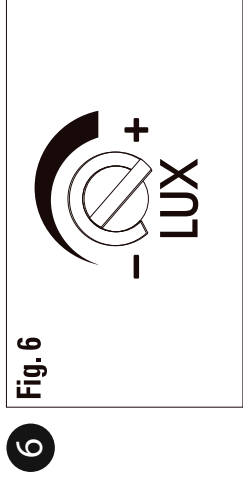
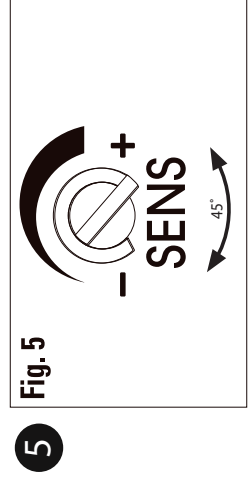
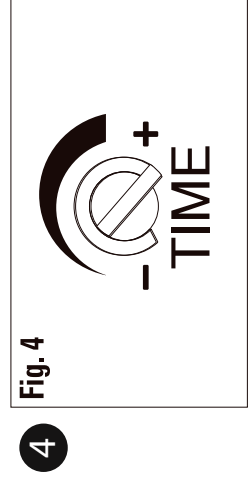
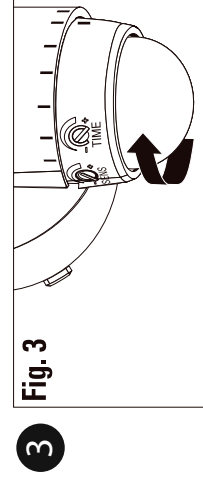
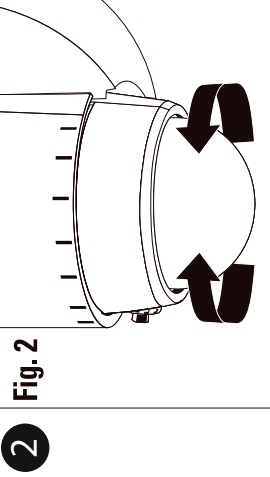
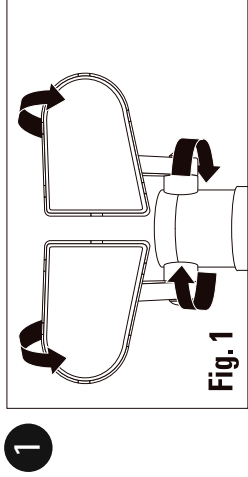


Dublin battery Wall light

# INSTALLATION INSTRUCTIONS



# SENSOR

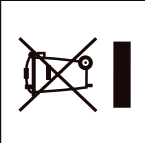
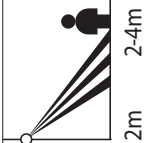


3X

**TYPE C**

Alkaline  
NOT  
INCLUDED

**8X  
WHITE  
SMD LED**



**2Y**  
Guarantee  
Warranty



**= LOW BATTERY INDICATOR**